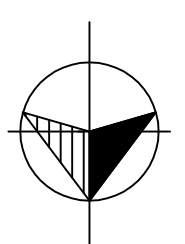
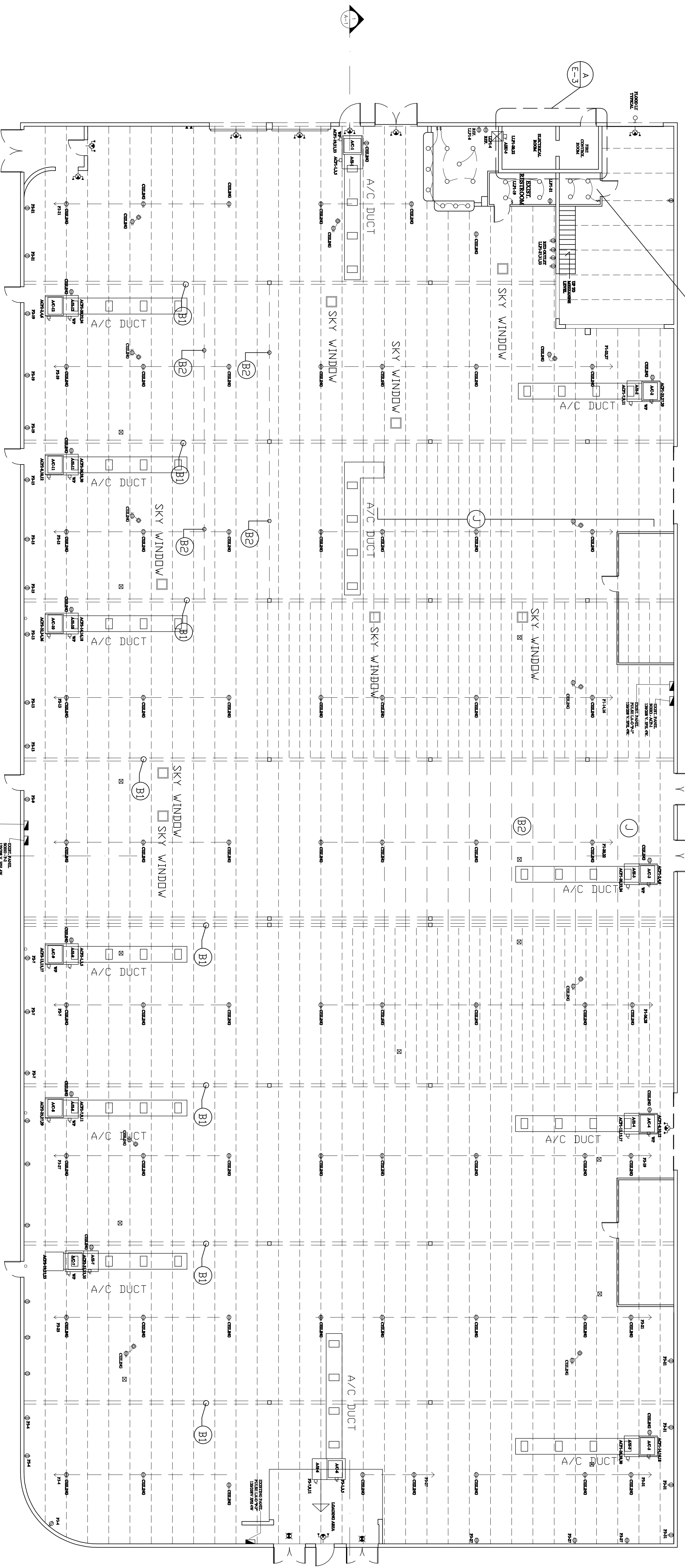
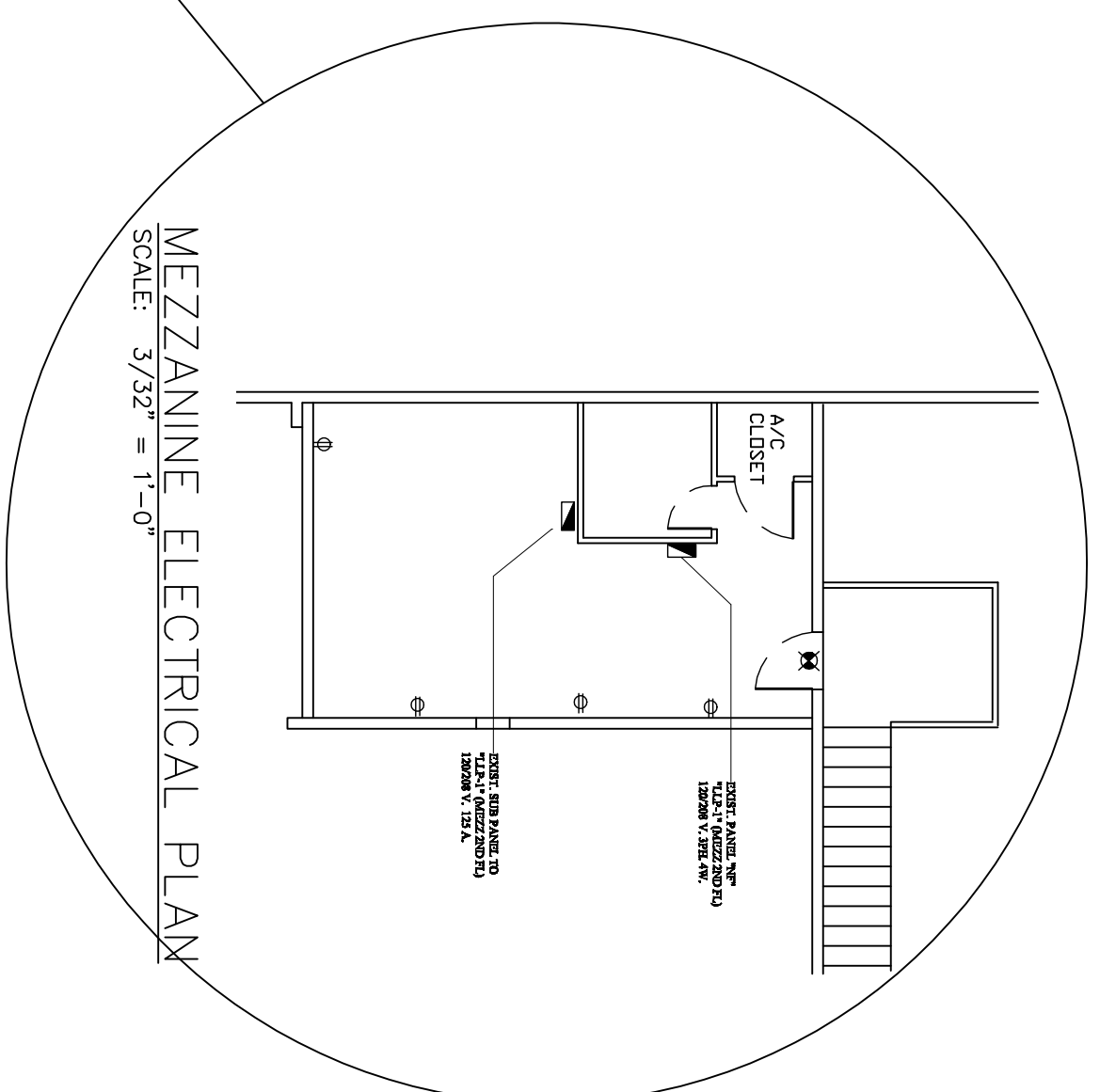




SOHO STUDIOS

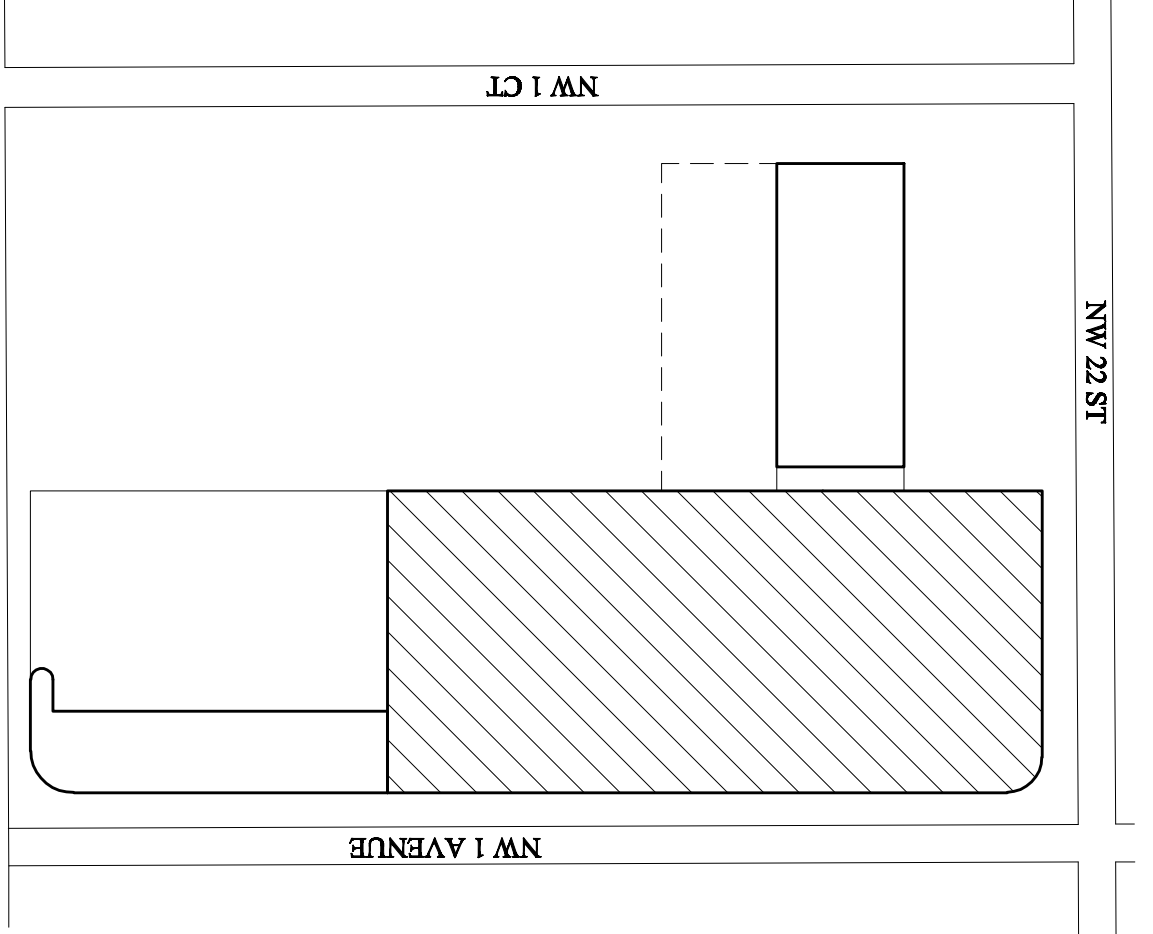


ARMORY ELECTRICAL PLAN
SCALE: 3/32" = 1'-0"

ELECTRICAL LEGEND																																																											
●	LOW VOLTAGE SPOT LIGHTS	○	RECESSED/SURFACE MOUNTED INCANDESCENT FIXTURE	○	BRACKET MOUNTED INCANDESCENT FIXTURE	⊠	TOGGLE SWITCH, ONE TYPE, 20A, 120V, W/AL-40, A-13	⊠	3-WAY SWITCH, SAME AS ABOVE	⊠	DIMMER SWITCH, SAME AS ABOVE	⊠	DUPLEX RECEPTACLE 120V, A-13 UNLESS OTHERWISE NOTED.	⊠	HOUSING TO PANEL	⊠	DISCONNECT, 2-POLE, 30A SWITCH, 120V, W/AL-40, A-13	⊠	NON-OMNIDIRECTIONAL LIGHTING	⊠	RELEASABLE CONNECTION	⊠	GROUND FAULT INTERRUPTER	⊠	EXIT LIGHT	⊠	EMERGENCY/FLOOD LIGHTS	⊠	PANEL BOARD	⊠	EXTERIOR LIGHTING	⊠	JUNCTION BOX FLUSH MOUNTED	⊠	TELEPHONE OUTLET, 1/2" TC WITH RILL WIRE, A-13, A-13 UNLESS OTHERWISE NOTED	⊠	SMOKE DETECTOR, IONIZATION TYPE, UNSWITCH 120V, CIRCUIT NOT ON GFI, TIED TO KITCHEN LIGHTING CIRCUIT	⊠	UNDERGROUND CONDUIT RUN	⊠	METER	⊠	FIRE ALARM PULL STATION, MOUNTED	⊠	FIRE ALARM HORN AND STROBE COMBINATION MOUNTED AT 7'-0" A-13	⊠	GROUND	⊠	FIRE ALARM HORN, A-13 UNLESS OTHERWISE NOTED	⊠	TRACK LIGHTING	⊠	CEILING FAN	⊠	SPECIAL OUTLET	⊠	CABLE OUTLET	⊠	EXHAUST FAN



KEY MAP:
SCALE: 1" = 10'





SOHO STUDIOS

KVA	WIRE	CON-DUIT	C.B. TRIP	REMARKS	CKT NO.	CKT NO.	REMARKS	C.B. TRIP	CON-DUIT	WIRE	KVA
3.0	3#12	1/2"	3P	EAST A/H-9	1	2	EAST A/C-12	3P	3/4"	3#8	10.28
					3	4					
					5	6					
3.0	3#12	1/2"	3P	EAST A/H-8	7	8	EAST A/C-11	3P	3/4"	3#8	10.28
					9	10					
					11	12					
10.28	3#8	3/4"	3P	EAST A/C-9	13	14	EAST A/H-10	3P	1/2"	3#12	3.0
					15	16					
					17	18					
10.28	3#8	3/4"	3P	EAST A/C-7	19	20	SPACE				
					21	22					
					23	24					
10.28	3#8	3/4"	3P	EAST A/C-8	25	26	EAST A/H-11	3P	1/2"	3#12	3.0
					27	28					
					29	30					
3.0	3#12	1/2"	3P	EAST A/H-7	31	32	SPACE				
					33	34					
					35	36					
2.0	2#12	1/2"	2P	A/H PUMPS 7.8,9	37	38	A/H PUMPS 10.11,12	2P	1/2"	2#12	2.0
					39	40					
					41	42					

TYPE: GE A SERIES 11 PANELBOARD
 SERVICE: 3 ϕ , 4 W
 VOLTAGE: 120/208 V, 60 Hz
 MOUNTING: SURFACE, NEMA1

EXISTING
 PANEL 'ACP2'

MAIN BUS: 225 A
 NEUTRAL:
 MANS:
 LOCATION: ARMORY AREA

* DENOTES GFI CKT. BKR. ** DENOTES CONTROLLED BY T.C./CONTRACTOR
 CONNECTED LOAD: 70.4 KVA
 DEMAND LOAD: 70.4 x 1000 / 208 $\sqrt{3}$ = 195.4 A

FEEDER (S): #42/0 THHN/THWN CU
 1#6 (G) IN 2" C
 FED FROM: PNL MDP-1, CKT3

KVA	WIRE	CON-DUIT	C.B. TRIP	REMARKS	CKT NO.	CKT NO.	REMARKS	C.B. TRIP	CON-DUIT	WIRE	KVA
3.0	3#12	1/2"	3P	WEST A/H-1	1	2	WEST A/C-3	3P	3/4"	3#8	10.28
					3	4					
					5	6					
3.0	3#12	1/2"	3P	WEST A/H-2	7	8	WEST A/C-4	3P	3/4"	3#8	10.28
					9	10					
					11	12					
3.0	3#12	1/2"	3P	WEST A/H-4	13	14	A/C - NO. 5	3P	3/4"	3#8	10.28
					15	16					
					17	18					
					19	20	A/H - NO. 3	3P	1/2"	3#12	3.0
					21	22					
					23	24					
					25	26	A/H - NO. 5	3P	1/2"	3#12	3.0
					27	28					
					29	30					
2.0	2#12	1/2"	2P	A/H PUMPS 1,2	31	32	A/H WATER PUMP 3,4	2P	1/2"	2#12	2.0
					33	34					
					35	36	SPACE				
					37	38					
					39	40	SPACE				
					41	42					

TYPE: GE A SERIES 11 PANELBOARD
 SERVICE: 3 ϕ , 4 W
 VOLTAGE: 120/208 V, 60 Hz
 MOUNTING: SURFACE, NEMA 1

EXISTING
 PANEL 'ACP1'

MAIN BUS: 225 A
 NEUTRAL:
 MANS:
 LOCATION: ARMORY AREA

* DENOTES GFI CKT. BKR. ** DENOTES CONTROLLED BY T.C./CONTRACTOR
 CONNECTED LOAD: 49.84 KVA
 DEMAND LOAD: 49.84 x 1000 / 208 $\sqrt{3}$ = 138.3 A

FEEDER (S): #42/0 THHN/THWN CU
 1#6 (G) IN 2" C
 FED FROM: PNL MDP-2, CKT1

KVA	WIRE	CON-DUIT	C.B. TRIP	REMARKS	CKT NO.	CKT NO.	REMARKS	C.B. TRIP	CON-DUIT	WIRE	KVA
					1	2	SPACE				
					3	4	SPACE				
					5	6	SPACE				
1.08	2#12	1/2"	20	BROWN OUTLET 21	7	8	BROWN OUTLET 27	20	1/2"	2#12	1.08
1.08	2#12	1/2"	20	BROWN OUTLET 22	9	10	BROWN OUTLET 28	20	1/2"	2#12	1.08
					11	12					
1.08	2#12	1/2"	20	BROWN OUTLET 23	13	14	BROWN OUTLET 29	20	1/2"	2#12	1.08
1.08	2#12	1/2"	20	BROWN OUTLET 24	15	16	BROWN OUTLET 30	20	1/2"	2#12	1.08
					17	18					
1.08	2#12	1/2"	20	BROWN OUTLET 25	19	20	BROWN OUTLET 31	20	1/2"	2#12	1.08
1.08	2#12	1/2"	20	BROWN OUTLET 26	21	22	BROWN OUTLET 32	20	1/2"	2#12	1.08
					23	24					
					25	26					
					27	28					
					29	30					
					31	32					
					33	34					
					35	36					
					37	38					
					39	40					
					41	42					

TYPE: GE A SERIES 11 PANELBOARD
 SERVICE: 3 ϕ , 4 W
 VOLTAGE: 120/208 V, 60 Hz
 MOUNTING: SURFACE, NEMA 1

EXISTING
 PANEL 'P-2'

MAIN BUS: 225 A
 NEUTRAL:
 MANS:
 LOCATION: ARMORY AREA

* DENOTES GFI CKT. BKR. ** DENOTES CONTROLLED BY T.C./CONTRACTOR
 CONNECTED LOAD: 12.96 KVA
 DEMAND LOAD: 12.96 x 1000 / 208 $\sqrt{3}$ = 36.0 A

FEEDER (S): #42/0 THHN/THWN CU
 1#6 (G) IN 2" C
 FED FROM: PNL MDP-1, CKT2

KVA	WIRE	CON-DUIT	C.B. TRIP	REMARKS	CKT NO.	CKT NO.	REMARKS	C.B. TRIP	CON-DUIT	WIRE	KVA
					1	2	SPACE				
					3	4	SPACE				
					5	6	SPACE				
3.0	2#10	1/2"	2P	A/C BATH 3	7	8	BROWN OUTLET 5	20	1/2"	2#12	1.08
					9	10	BROWN OUTLET 6	20	1/2"	2#12	1.08
					11	12					
2.0	2#12	1/2"	2P	A/H BATH 3	13	14	BROWN OUTLET 7	20	1/2"	2#12	1.08
					15	16	BROWN OUTLET 8	20	1/2"	2#12	1.08
					17	18					
1.08	2#12	1/2"	20	BROWN OUTLET 1	19	20	BROWN OUTLET 9	20	1/2"	2#12	1.08
1.08	2#12	1/2"	20	BROWN OUTLET 2	21	22	BROWN OUTLET 10	20	1/2"	2#12	1.08
					23	24					
1.08	2#12	1/2"	20	BROWN OUTLET 3	25	26	BROWN OUTLET 11	20	1/2"	2#12	1.08
1.08	2#12	1/2"	20	BROWN OUTLET 4	27	28	BROWN OUTLET 12	20	1/2"	2#12	1.08
					29	30					
					31	32	SPACE				
					33	34	SPACE				
					35	36	SPACE				
					37	38	SPACE				
					39	40	SPACE				
					41	42	SPACE				

TYPE: GE A SERIES 11 PANELBOARD
 SERVICE: 3 ϕ , 4 W
 VOLTAGE: 120/208 V, 60 Hz
 MOUNTING: SURFACE, NEMA1

EXISTING
 PANEL 'P-1'

MAIN BUS: 225 A
 NEUTRAL:
 MANS:
 LOCATION: ARMORY AREA

* DENOTES GFI CKT. BKR. ** DENOTES CONTROLLED BY T.C./CONTRACTOR
 CONNECTED LOAD: 17.96 KVA
 DEMAND LOAD: 17.96 x 1000 / 208 $\sqrt{3}$ = 49.8 A

FEEDER (S): #42/0 THHN/THWN CU
 1#6 (G) IN 2" C
 FED FROM: PNL MDP-2, CKT3

KVA	WIRE	CON-DUIT	C.B. TRIP	REMARKS	CKT NO.	CKT NO.	REMARKS	C.B. TRIP	CON-DUIT	WIRE	KVA
10.28	3#8	3/4"	3P	NORTH A/C-6	1	2	BROWN OUTLET 19	20	1/2"	2#12	1.08
					3	4	BROWN OUTLET 20	20	1/2"	2#12	1.08
					5	6	SPACE				
3.0	3#12	1/2"	3P	NORTH A/H-6	7	8	LIGHT BATH 4	20	1/2"	2#12	1.08
					9	10	NORTH EXIT SIGN	20	1/2"	2#12	1.08
					11	12					
4.8	2#8	3/4"	2P	A/C BATH 4	13	14	SPACE				
					15	16	SPACE				
					17	18	SPACE				
1.08	2#12	1/2"	20	BROWN OUTLET 13	19	20	SPACE				
1.08	2#12	1/2"	20	BROWN OUTLET 14	21	22	SPACE				
					23	24	SPACE				
1.08	2#12	1/2"	20	BROWN OUTLET 15	25	26	SPACE				
1.08	2#12	1/2"	20	BROWN OUTLET 16	27	28	SPACE				
					29	30	SPACE				
1.08	2#12	1/2"	20	BROWN OUTLET 17	31	32	SPACE				
1.08	2#12	1/2"	20	BROWN OUTLET 18	33	34	SPACE				
					35	36	SPACE				
					37	38	SPACE				
					39	40	SPACE				
					41	42	SPACE				

TYPE: GE A SERIES 11 PANELBOARD
 SERVICE: 3 ϕ , 4 W
 VOLTAGE: 120/208 V, 60 Hz
 MOUNTING: SURFACE, NEMA1

EXISTING
 PANEL 'P-3'

MAIN BUS: 100 A
 NEUTRAL:
 MANS:
 LOCATION: ARMORY AREA

* DENOTES GFI CKT. BKR. ** DENOTES CONTROLLED BY T.C./CONTRACTOR
 CONNECTED LOAD: 28.97 KVA
 DEMAND LOAD: 28.97 x 1000 / 208 $\sqrt{3}$ = 80.5 A

FEEDER (S): #42/0 THHN/THWN CU
 1#6 (G) IN 2" C
 FED FROM: PNL MDP-2, CKT2

ARMORY ELECTRICAL E-2



SOHO STUDIOS

SERVICE: MAIN BUS:1200 M.C.B.
VOLTAGE:120/208V, 3PH, 4W
MOUNTING: MEZZANINE PANEL "MDP-1"DISTRIBUTION PANEL
EXISTING PANEL "MDP-1"

CKT NO.	EQUIPMENT DESCRIPTION	DEMAND KVA	VOLTS	β	POLE - TRIP	BRANCH CIRCUIT WIRE SIZE	CONDUIT SIZE	REMARKS
1	"NF" LUP-1" (100A) MEZZ	33.6	208	3	3 - 225	#3/0	2"	ADJ-MAG TRIP
2	PULSE LKO "P-2"	13	208	3	3 - 100	#2/0	2"	ADJ-MAG TRIP
3	SOHO *AGP-2"	63.7	208	3	3 - 275	#2/0	2"	ADJ-MAG TRIP
4	LUP-2" (STVR PANEL)	26	208	3	3 - 200	2"	ADJ-MAG TRIP	
5	PULSE LKO "P-5" LUP-2"	29.4	208	3	3 - 200	2"	ADJ-MAG TRIP	
6	LUP-4" OFFICE PANEL	21.56	208	3	3 - 100	2"	ADJ-MAG TRIP	
7	SPACE	0.00	208	3	3 - 0	2"	ADJ-MAG TRIP	
8	PULSE LKO "P-4"	62.3	208	3	3 - 150	2"	ADJ-MAG TRIP	
9	SPACE							
10	SPACE							
11	SPACE							
12	SPACE							

FEDDER (S): #4800 MCM THHN/THWN CU IN 4" C
CONNECTED LOAD: 259.56 KVA
FED FROM: CT-METER-FPL

SERVICE: MAIN BUS:1200 M.C.B.
VOLTAGE: 120/208V, 3PH, 4W
MOUNTING: MEZZANINE PANEL "MDP-2"DISTRIBUTION PANEL
EXISTING PANEL "MDP-2"

CKT NO.	EQUIPMENT DESCRIPTION	DEMAND KVA	VOLTS	β	POLE - TRIP	BRANCH CIRCUIT WIRE SIZE	CONDUIT SIZE	REMARKS
1	SOHO *AGP-1"	73.4	208	3	3 - 225	#3/0	2"	
2	PULSE LKO "P-3"	29	208	3	3 - 125	#2/0	2"	
3	PULSE LKO "P-1"	19	208	3	3 - 225	#2/0	2"	
4	SPACE							
5	SPACE							
6	SPACE							
7	SPACE							
8	SPACE							
9	SPACE							
10	SPACE							
11	SPACE							
12	SPACE							

FEDDER (S): #4800 MCM THHN/THWN CU IN 4" C
CONNECTED LOAD:
FED FROM: CT-METER-FPL

TYPE: CUTLER HAMMER
SERVICE: 1 φ, 3 W
VOLTAGE: 120/208 V, Hz
MOUNTING: SURFACE, NEMA 1

MAIN BUS: 125 A
NEUTRAL:
MANS:
LOCATION: ARMORY
MEZZANINE AREA

EXISTING
SUB PANEL
(MEZZANINE PANEL)

KVA	WIRE	CON-TRIP	C.B.	REMARKS	CKT NO.	CKT NO.	REMARKS	C.B.	CON-TRIP	WIRE	KVA
0.7	2#12	1/2"	20	GEN. LIGHTING	1	2	GEN. LIGHTING	20	1/2"	2#12	0.7
0.7	2#12	1/2"	20	GEN. LIGHTING	3	4	GEN. LIGHTING	20	1/2"	2#12	0.7
0.7	2#12	1/2"	20	GEN. LIGHTING	5	6	GEN. LIGHTING	20	1/2"	2#12	0.7
0.7	2#12	1/2"	20	GEN. LIGHTING	7	8	GEN. LIGHTING	20	1/2"	2#12	0.7
0.7	2#12	1/2"	20	GEN. LIGHTING	9	10	GEN. LIGHTING	20	1/2"	2#12	0.7
0.7	2#12	1/2"	20	GEN. LIGHTING	11	12	GEN. LIGHTING	20	1/2"	2#12	0.7
0.7	2#12	1/2"	20	GEN. LIGHTING	13	14	GEN. LIGHTING	20	1/2"	2#12	0.7
0.7	2#12	1/2"	20	GEN. LIGHTING	15	16	GEN. LIGHTING	20	1/2"	2#12	0.7
0.7	2#12	1/2"	20	GEN. LIGHTING	17	18	GEN. LIGHTING	20	1/2"	2#12	0.7
0.7	2#12	1/2"	20	GEN. LIGHTING	19	20	GEN. LIGHTING	20	1/2"	2#12	0.7
0.7	2#12	1/2"	20	GEN. LIGHTING	21	22	GEN. LIGHTING	20	1/2"	2#12	0.7
0.7	2#12	1/2"	20	GEN. LIGHTING	23	24	GEN. LIGHTING	20	1/2"	2#12	0.7

* DENOTES GFI CKT. BKR. ** DENOTES CONTROLLED BY T.C./CONTRACTOR
FEDDER (S): #42/0 THHN/THWN CU
CONNECTED LOAD: 16.8 KVA
DEMAND LOAD: 16.8 x 1000 / 208 √3 = 46.6 A
FED FROM: PNL MDP-1, CKT1

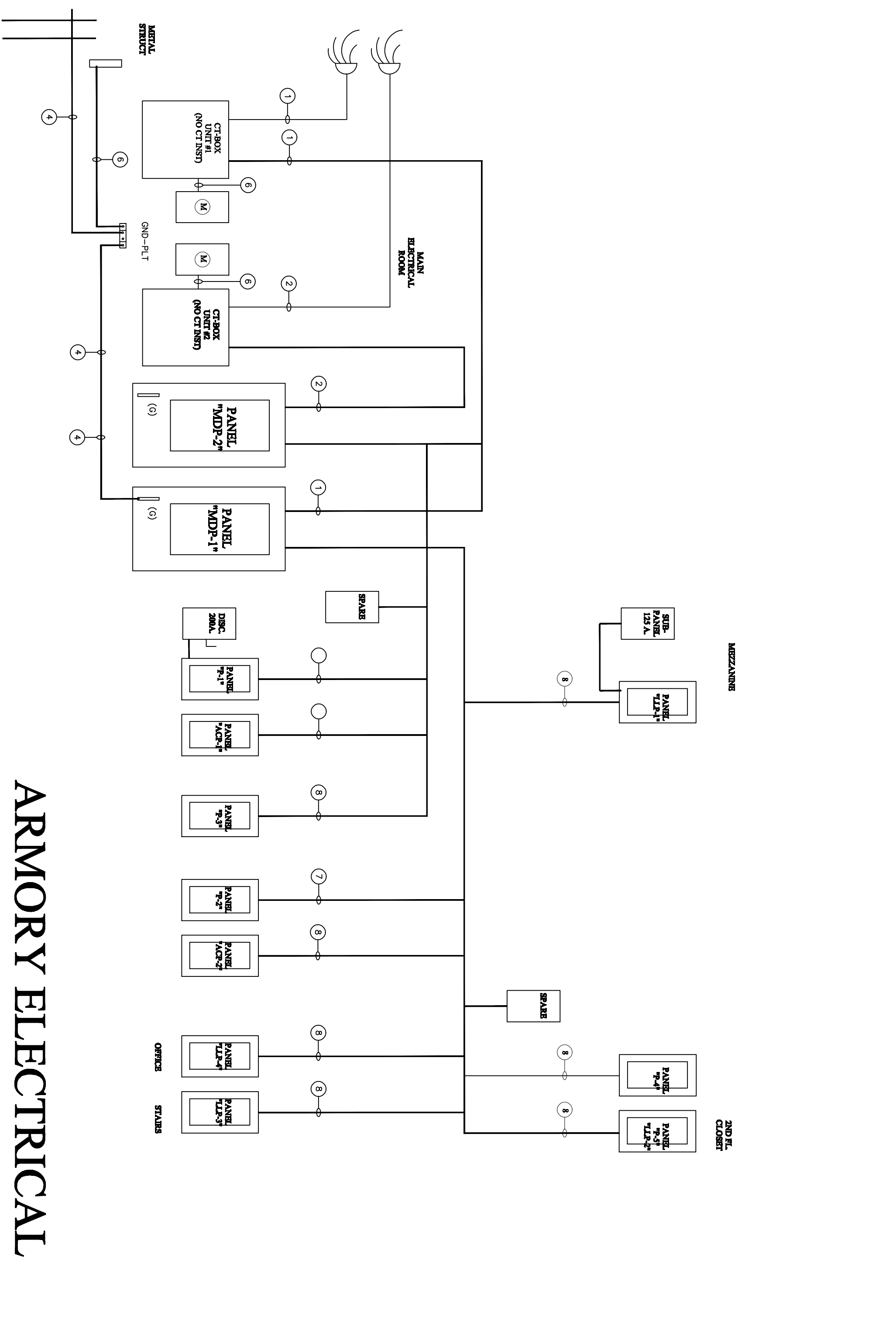
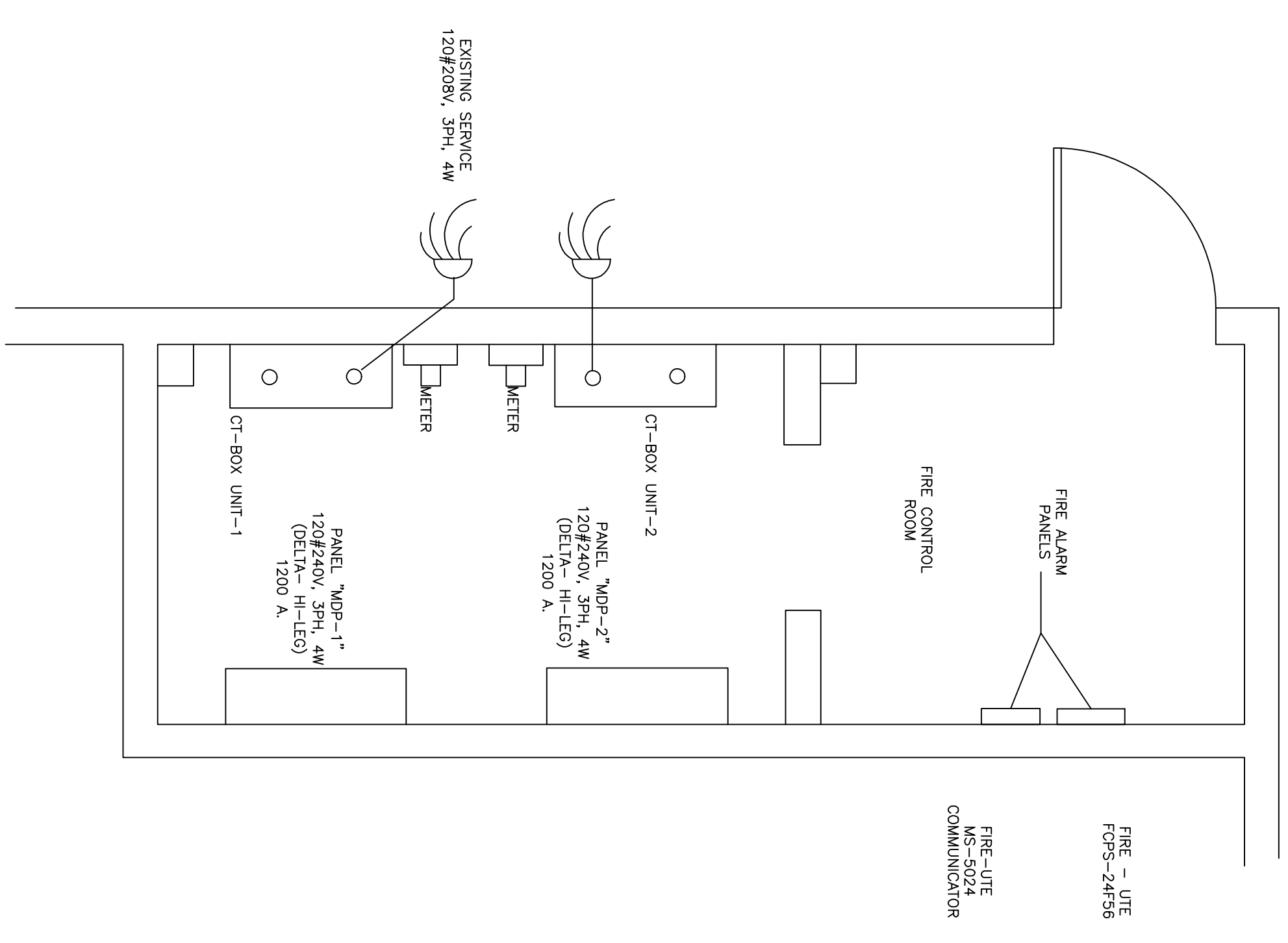
TYPE: CUTLER HAMMER
SERVICE: 3 φ, 4 W
VOLTAGE: 120/208 V, Hz
MOUNTING: SURFACE, NEMA 1

MAIN BUS: 225 A
NEUTRAL:
MANS:
LOCATION: ARMORY
MEZZANINE AREA

EXISTING
PANEL "LUP-1"
(MEZZANINE PANEL)PNL "NF"

KVA	WIRE	CON-TRIP	C.B.	REMARKS	CKT NO.	CKT NO.	REMARKS	C.B.	CON-TRIP	WIRE	KVA
0.36	2#12	1/2"	20	OUTLET BATH 2	1	2	BAR GFI OUTLET	20	1/2"	2#12	1.5
0.36	2#12	1/2"	20	OUTLET BATH 1	3	4	BAR FRIG	20	1/2"	2#12	1.0
1.0	2#12	1/2"	20	BAR LIGHTS	5	6	BAR IOE MAKER	20	1/2"	2#12	1.0
1.0	2#12	1/2"	20	GEN. LIGHTING	7	8	BAR IOE MAKER	20	1/2"	2#12	1.0
1.0	2#12	1/2"	20	GEN. LIGHTING	9	10	OFFICE	20	1/2"	2#12	1.5
1.0	2#12	1/2"	20	GEN. LIGHTING	11	12	OFFICE	20	1/2"	2#12	1.5
8.0	2#6	3/4"	3P	WATER HEATER	13	14	A/C BATH 1,2	20	1/2"	2#10	3.0
1.0	2#12	1/2"	20	GEN. LIGHTING	15	16	A/C BATH 1,2	20	1/2"	2#10	3.0
1.0	2#12	1/2"	20	GEN. LIGHTING	17	18	A/C BATH 1,2	20	1/2"	2#10	3.0
1.0	2#12	1/2"	20	GEN. LIGHTING	19	20	A/H BATH 1,2	3P	3/4"	2#8	5.35
0.36	2#12	1/2"	20	GEN. LIGHTING	21	22	GEN. LIGHTING	20	1/2"	2#12	0.5
1.0	2#12	1/2"	20	GEN. LIGHTING	23	24	GEN. LIGHTING	20	1/2"	2#12	0.5
1.0	2#12	1/2"	20	BAR REFRIG. 2	25	26	METER RM LTS	20	1/2"	2#12	0.5
1.0	2#12	1/2"	20	BAR REFRIG. 2	27	28	METER RM LTS	20	1/2"	2#12	0.5
1.0	2#12	1/2"	20	BAR REFRIG. 2	29	30	METER RM LTS	20	1/2"	2#12	0.5
1.0	2#12	1/2"	20	RED OUTLET 2	31	32	BATH 2 LIGHTING	20	1/2"	2#12	0.6
1.0	2#12	1/2"	20	RED OUTLET 3	33	34	BATH 2 LIGHTING	20	1/2"	2#12	0.6
1.0	2#12	1/2"	20	OFFICE LIGHT / OUTLET	35	36	FIRE ALARM (BY BAR)	20	1/2"	2#12	0.5
1.0	2#12	1/2"	3P	MEZZ. REC/BURGLAR A	37	38	FIRE ALARM (BY BAR)	20	1/2"	2#12	0.5
1.0	2#12	1/2"	3P	MEZZ. REC/BURGLAR B	39	40	FIRE ALARM (BY BAR)	20	1/2"	2#12	0.5
1.0	2#12	1/2"	3P	MEZZ. REC/BURGLAR C	41	42	FIRE ALARM (BY BAR)	20	1/2"	2#12	0.5

* DENOTES GFI CKT. BKR. ** DENOTES CONTROLLED BY T.C./CONTRACTOR
FEDDER (S): #42/0 THHN/THWN CU
CONNECTED LOAD: 33.6 KVA
DEMAND LOAD: 33.6 x 1000 / 208 √3 = 93 A
FED FROM: PNL MDP-1, CKT1



A ELECTRICAL ROOM DETAIL
E-3 SCALE: 1" = 1'-0"

ARMORY ELECTRICAL E-3